

# Wheelie Bar / Stabilizer TTPA Guidelines

## Stabilizer / Wheelie Bars

- The Stabilizer must support tractor at it's heaviest weight.
- The Stabilizer will be checked by jacking one side at a time.
- Stabilizer pads must be a minimum of 1/4x5x5 in size.
- Recommended minimum of weight Class Tractor (Steel Size Stock)  
2x2x1/8 for 6500 pounds & above  
1x2x1/8 for 6500 pounds and less
- Aluminum stabilizers are permitted but must pass the same above test.

## Hitch

- Top of Hitch adjuster cannot be above the (Rear-End) centerline of the tractor.  
**(Mandatory)**
- All hitch holes must be 3" in hole-size diameter. Steel must be 3/4" thick with 1" of material left behind the hole.
- No adjuster behind the hole.

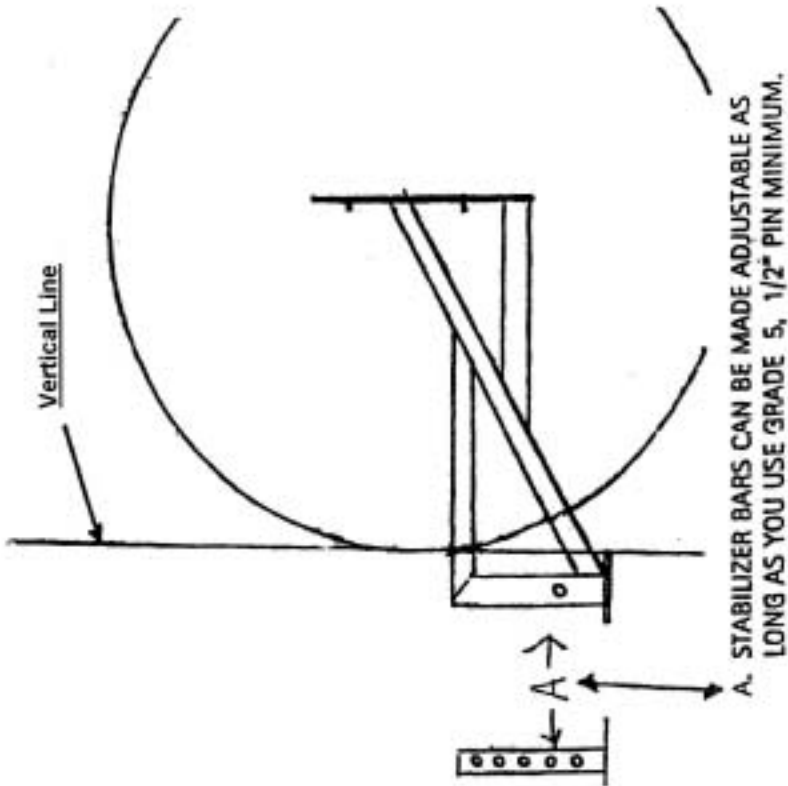
## Securing Weights

- No Bungee Cords or Tarp Straps allowed. **(Mandatory)**
- Must use 1" Nylon straps with a ratchet or use safety rods with clips or threaded nuts
- Front weight bracket or weights not to extend further than (11 Feet) from the center-line of the rear axle to the furthest distance forward from the center line of the rear axle.  
**(Mandatory)**

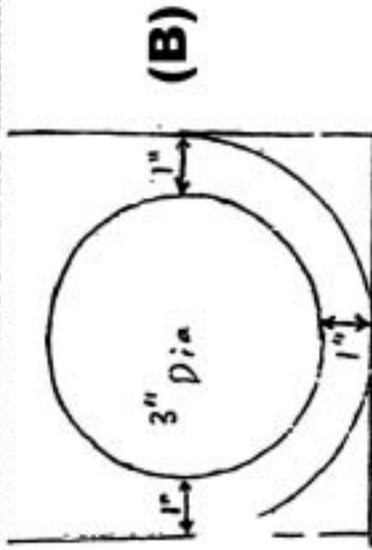
**(See drawing details on page two)**

# Wheelie Bar / Stabilizer TTPA Guidelines

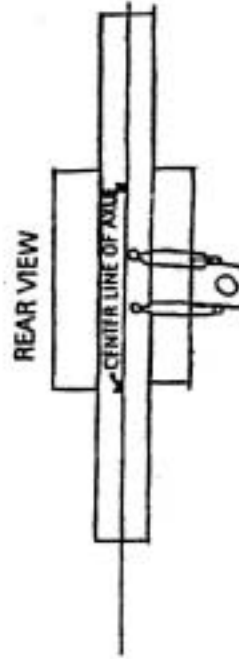
**THE STABILIZER BARS AND THEIR ASSEMBLY ARE NOT IN ANY WAY TO BE CONNECTED TO THE DRAWBAR AND ITS ASSEMBLY. (MANDATORY!)**



NOTE: Adjustable stabilizer will be 10" Max Height / 3" Minimum Height from ground level.



**(C)**



C: TOP OF HITCH ADJUSTER NOT ABOVE CENTER-LINE OF AXLE OR HUB (MANDATORY).